

3 < / 8 3 ' 1

I d # 87m`b]@b X Y`b U@ if aYY b ` / ` ? Y ` j
 G Y ` Y Wh UV ` Y

+ 2 8 6 , 1 * Premium powder-coat, aluminum, dark bronze housing.

((& 7 5 , & \$ /

- Operating temperature (ambient): -40°C to 45°C (-40°F to 113°F).
- Universal 120-277V AC voltage (50-60Hz) is standard.
- Field selectable output, with 3 levels for each model.
- 0-10VDC dimming drivers are standard.
- Internal switch allows a choice of up only, down only, or both up and down.
- Internal photocell is standard. Photocell can be enabled or disabled by switch.
- Surge protection = 4kV.
- Power factor > 0.90.
- Total Harmonic distortion < 20%.

2 3 7 , & \$ / 6 < 6 7 (0

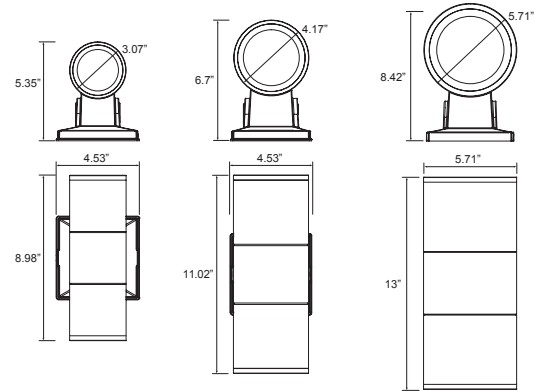
- High temperature resistant toughened glass lens.
- Field selectable 3000k(warm white), 4000k (neutral white) and 5000k (cool white) color temperatures*.
- ECYL-UPDN-976L-3CCT provides a range of 600 to 900 nominal lumens*.
- ECYL-UPDN-201712L-3CCT provides a range of 1,200 to 2,000 nominal lumens*.
- ECYL-UPDN-302722L-3CCT provides a range of 2,200 to 3,000 nominal lumens*.
- Long-life LEDs provide 140,000 hours of operation with at least 70% of initial lumen output (L70)**.
- Beam angle 35°.
- LED color maintenance < 0.00342 chromaticity shift ($\Delta u'v'$) over the initial 6,000 hours of operation.
- Color rendering index > 90.

5

L9 a

0 2 8 1 7 , 1 *

- Wall mount kit
- Easy installation in new construction or retrofit applications.



ORGHO	/ LQ	: LQ	+ LQ	: H L J K W O E V
(< / 8 3 ' 1 / & & 7				
(< / 8 3 ' 1 / & & 7				
(< / 8 3 ' 1 / & & 7				

& 2 ' (& 2 0 3 / , \$ 1 & (

- cULus listed for wet locations.
- Complies with FCC part 15, class B.
- IP65 rated for ingress protection.

: \$ 5 5 \$ 1 7 < \ H D U Z D U U D Q W \ R Q D O O H O H F W

ORDERING INFORMATION

Series	Nominal Lumen Output (Selectable)	Kelvin Selectable
(& 3	/	Z
	/	
	/	

